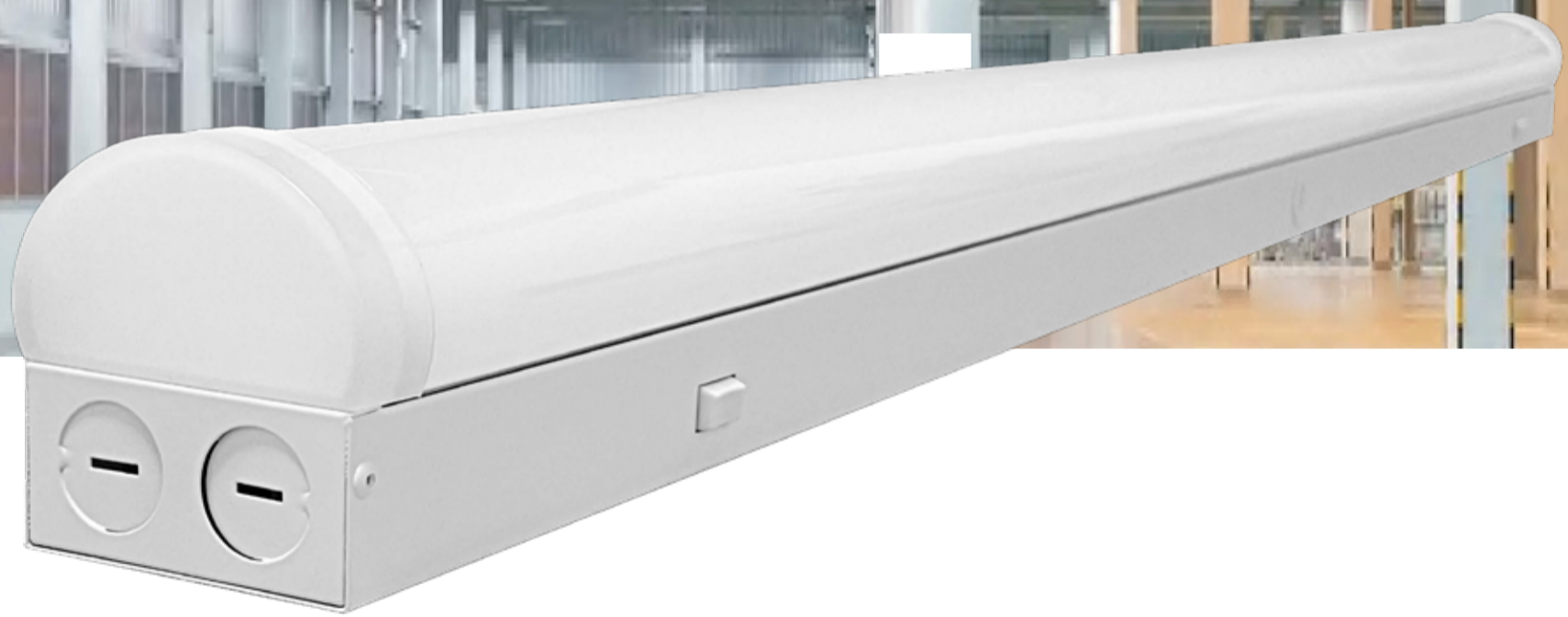
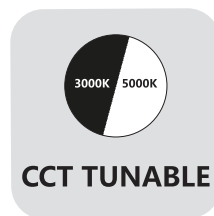


ILUMIA<sup>TM</sup>



**LED Linear Strip Light**

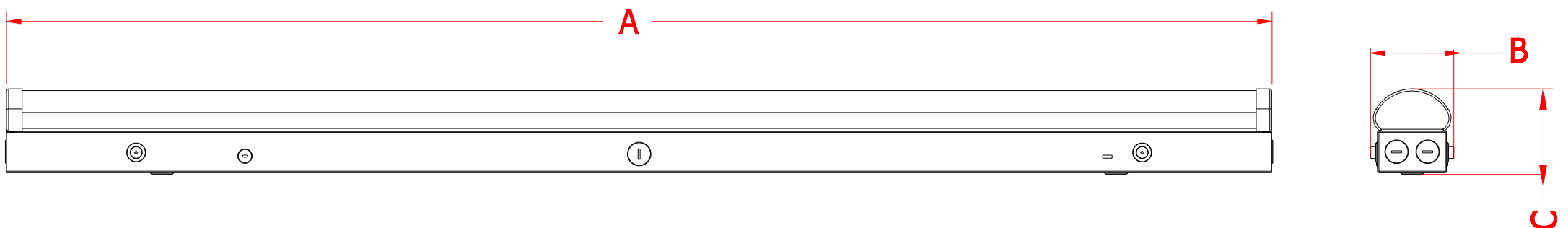
# Product Appearance



## Product Features

- 1. Certification: ETL, DLC
- 2. 3 Power & 4 CCT Tunable
- 3. Lumen Efficiency: 140LM/W
- 4. 0-10V dimmable driver.
- 5. Input voltage: AC100-277V
- 6. Installation: Surface mounted / Suspension / Recessed
- 7. Warranty: 5 years
- 8. Material: Aluminum (anti-corrosion, anti-rust)

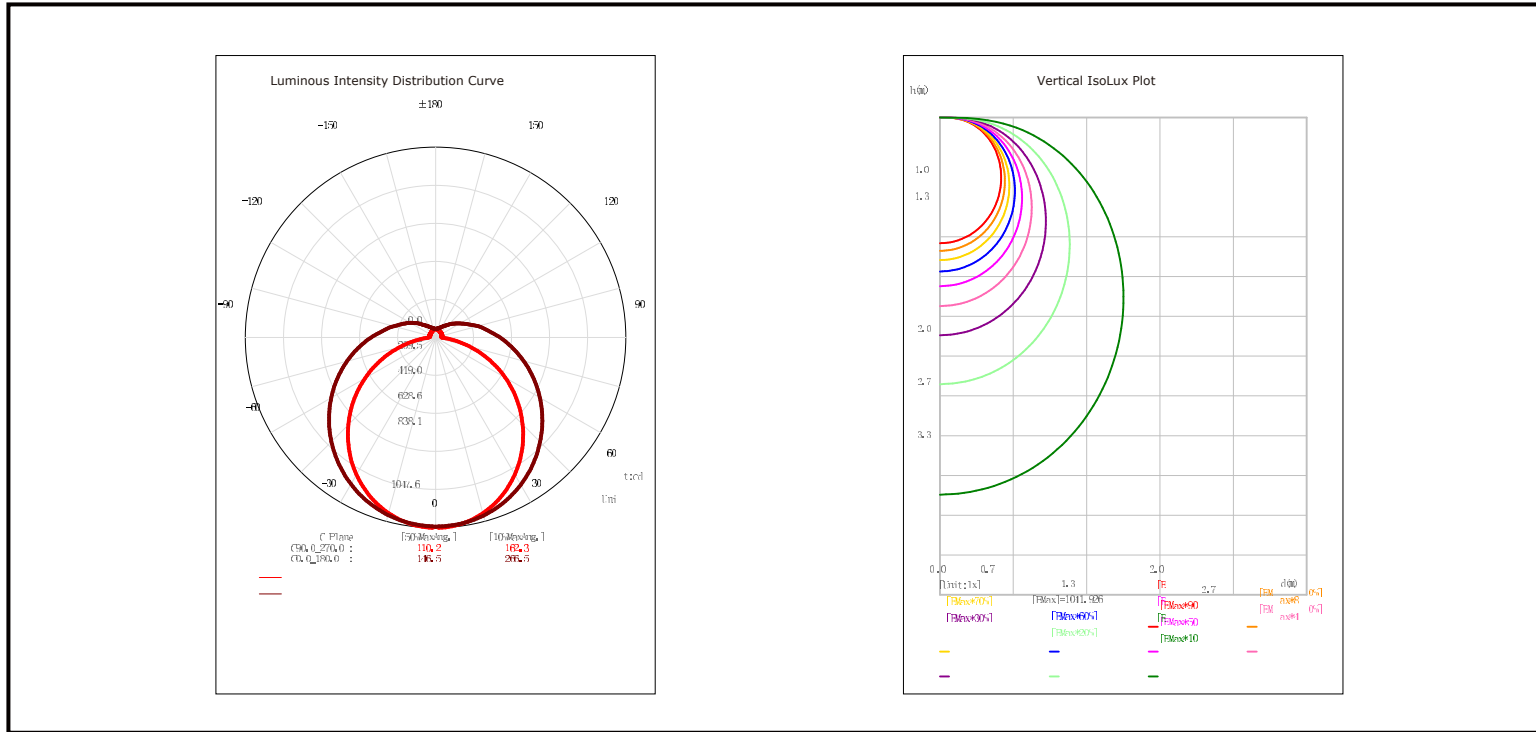
## Product Dimension



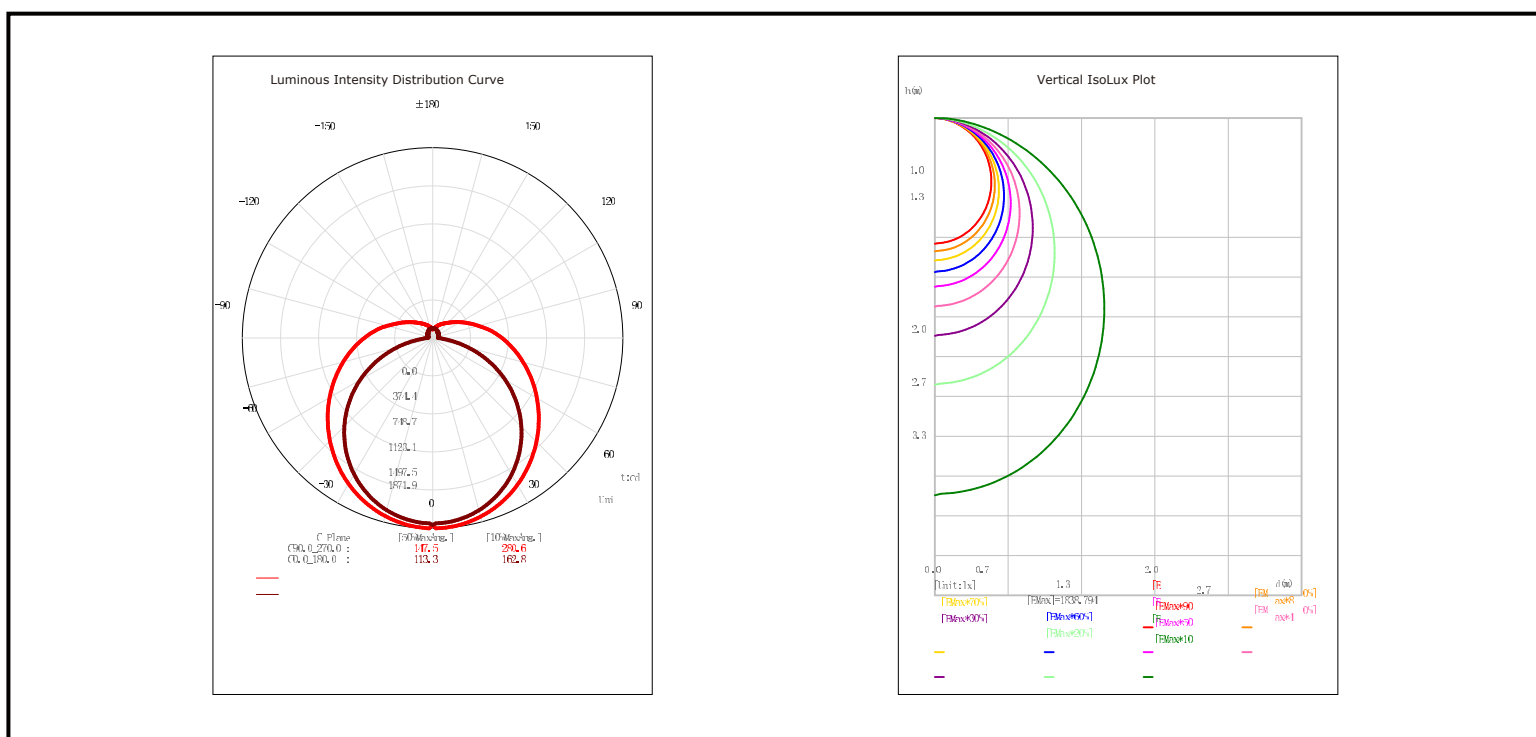
Model	Size	A (inch)(mm)	B (inch)(mm)	C (inch)(mm)
SP-S40W-4RCS35U	4FT	48.03" 1220mm	3.28" 82mm	3.28" 82mm
SP-S80W-8RCS35U	8FT	95.98" 2438mm	3.28" 82mm	3.28" 82mm

# Testing Report

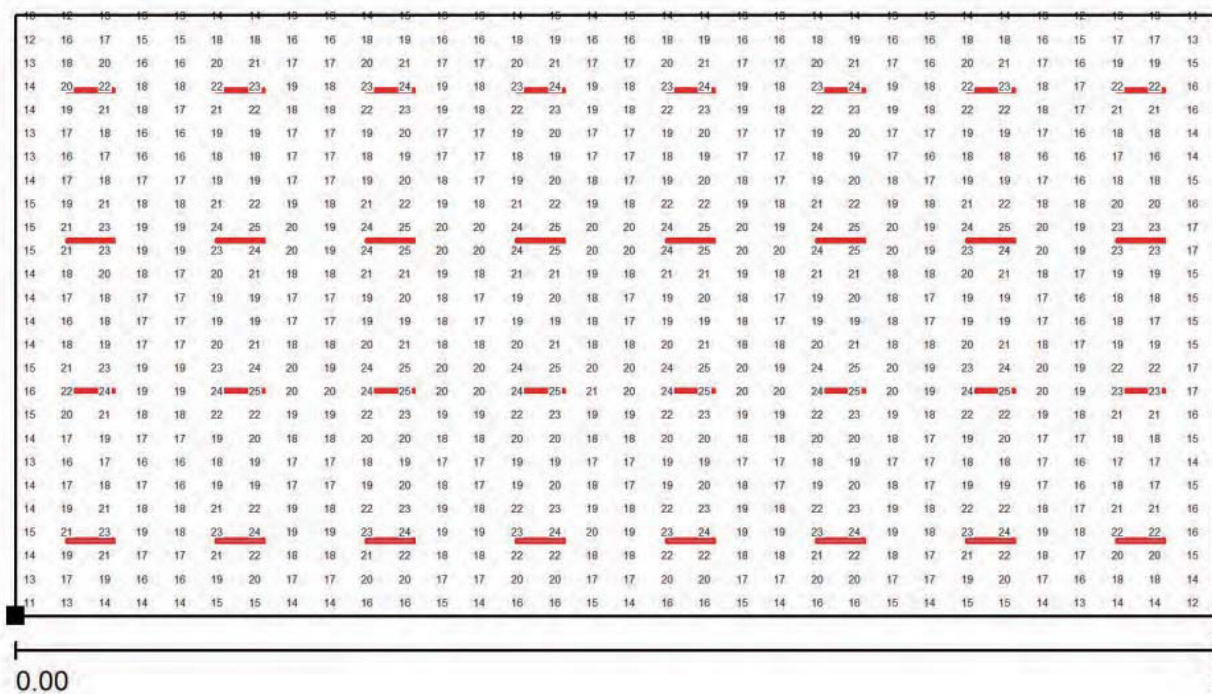
## 4FT LUMINOUS INTENSITY DISTRIBUTION DIAGRAM



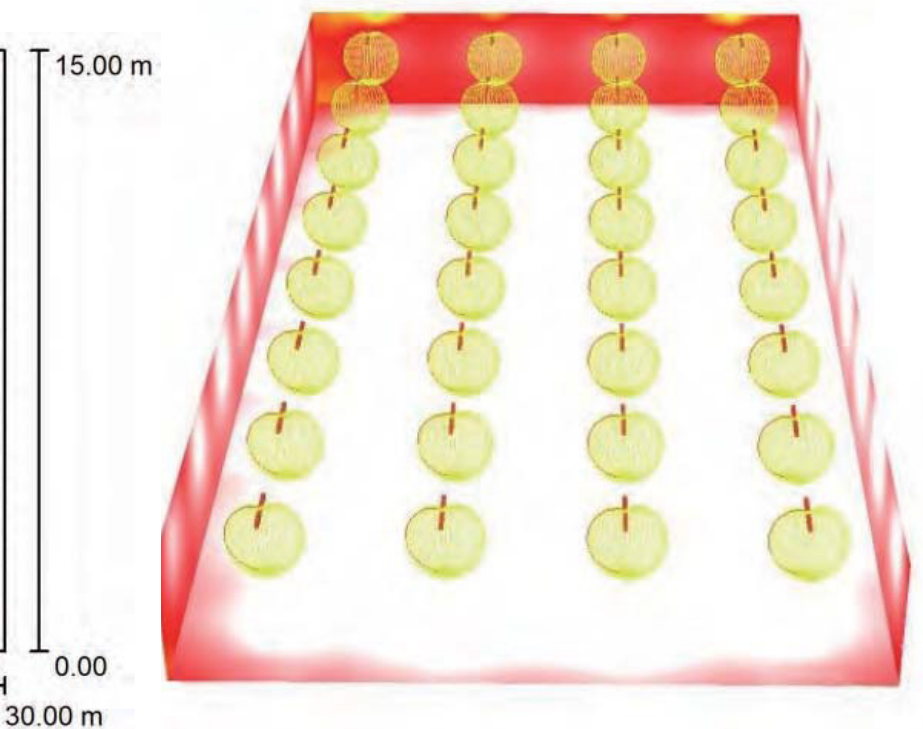
## 8FT LUMINOUS INTENSITY DISTRIBUTION DIAGRAM



# Simulation chart



Line Graph

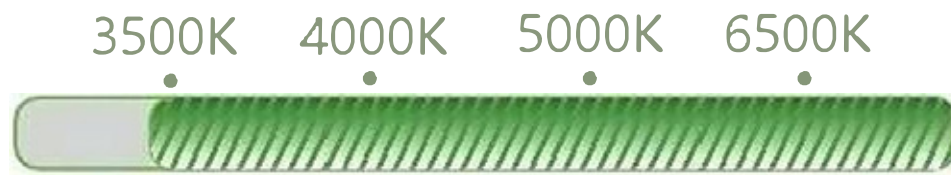


Thermal Imaging

# Specification

Model	Size	Power	Input Voltage	Dimmable	PF	Luminous Efficacy	Ra	CCT
SP-S40W-4RCS35U	4FT	30W-35W-40W	AC100-277V	1-10V	>0.9	150lm/w	80	3500K-4000K-5000K-6500K
SP-S80W-8RCS35U	8FT	60W-70W-80W	AC100-277V	1-10V	>0.9	150lm/w	80	3500K-4000K-5000K-6500K

CCT Tunable



4FT  
Watt Tunable



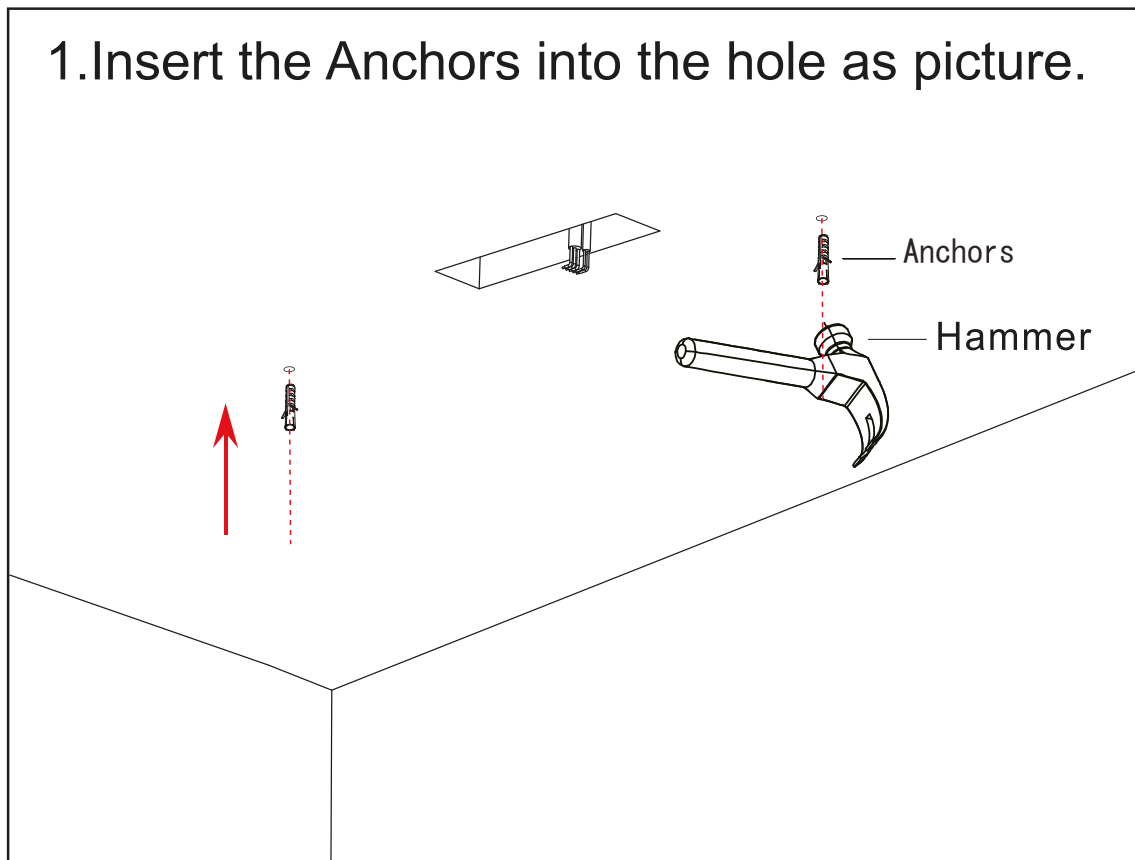
8FT  
Watt Tunable



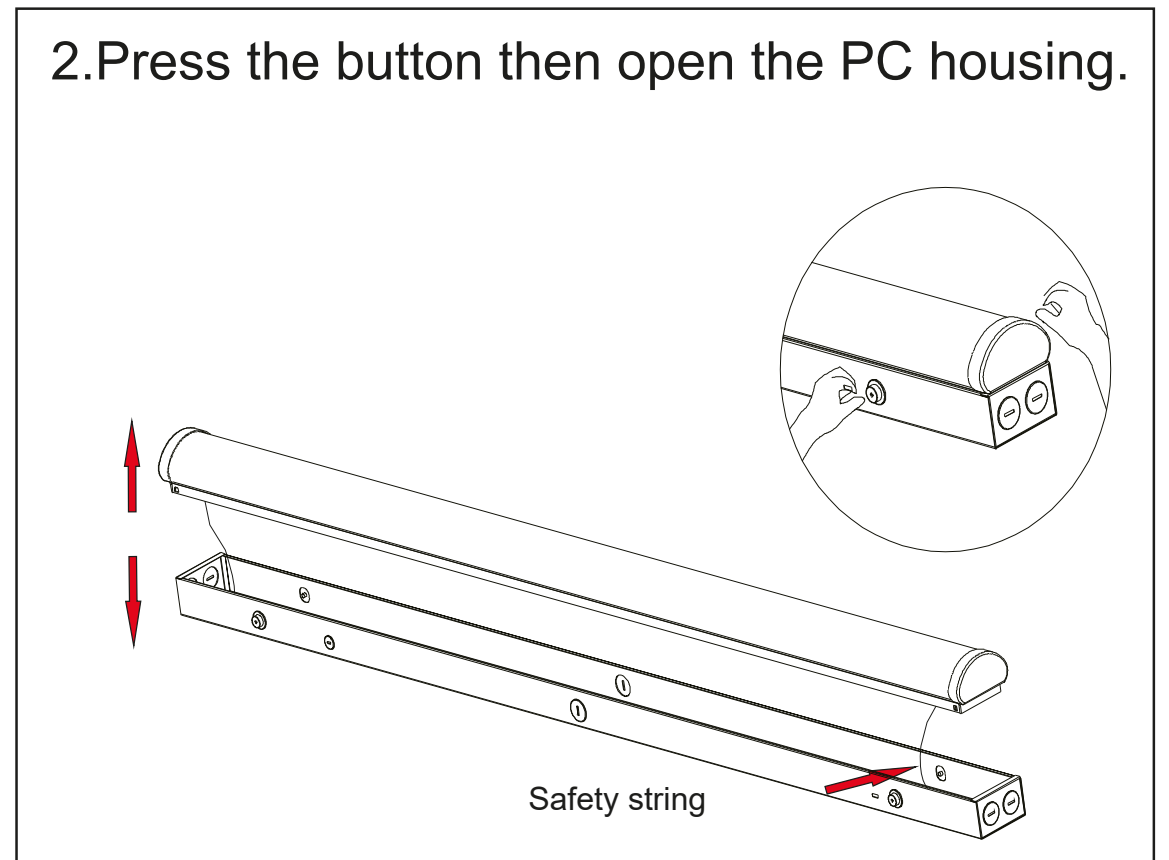
# Installation

## Surface Mounted Installation

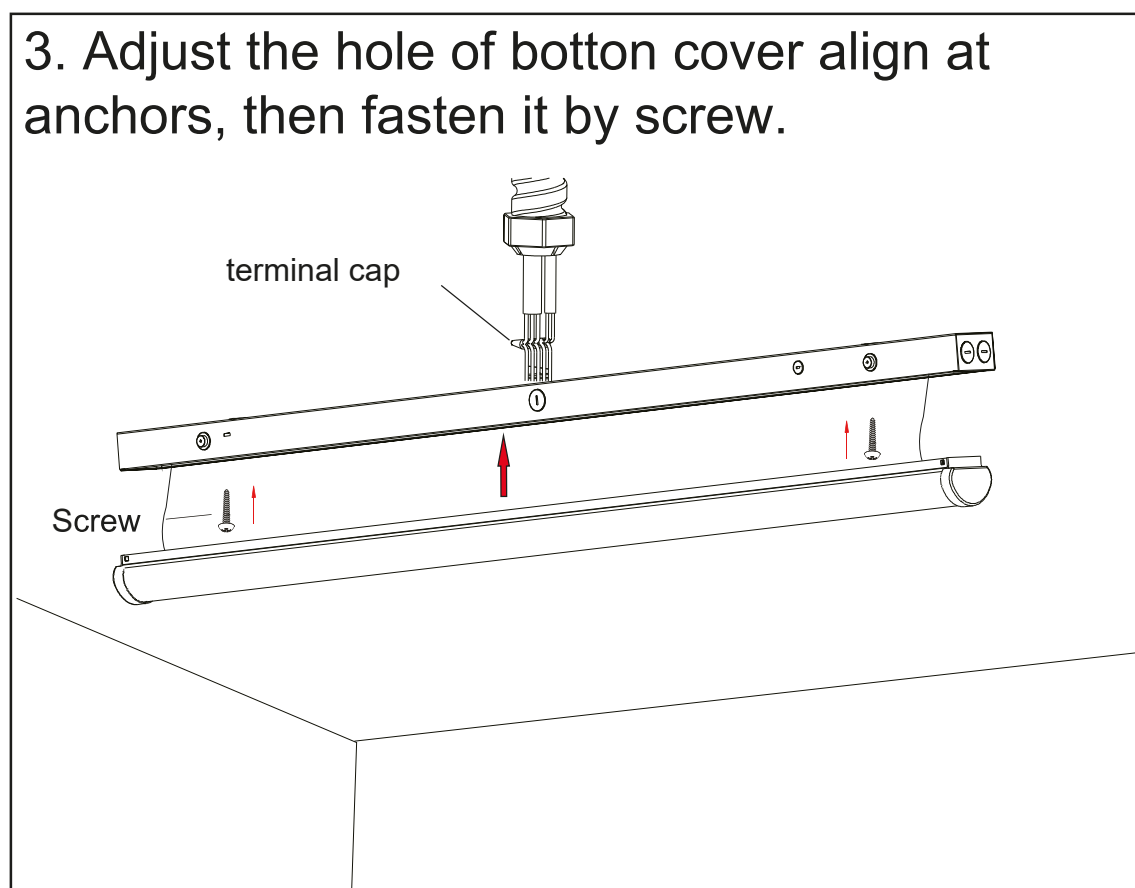
1. Insert the Anchors into the hole as picture.



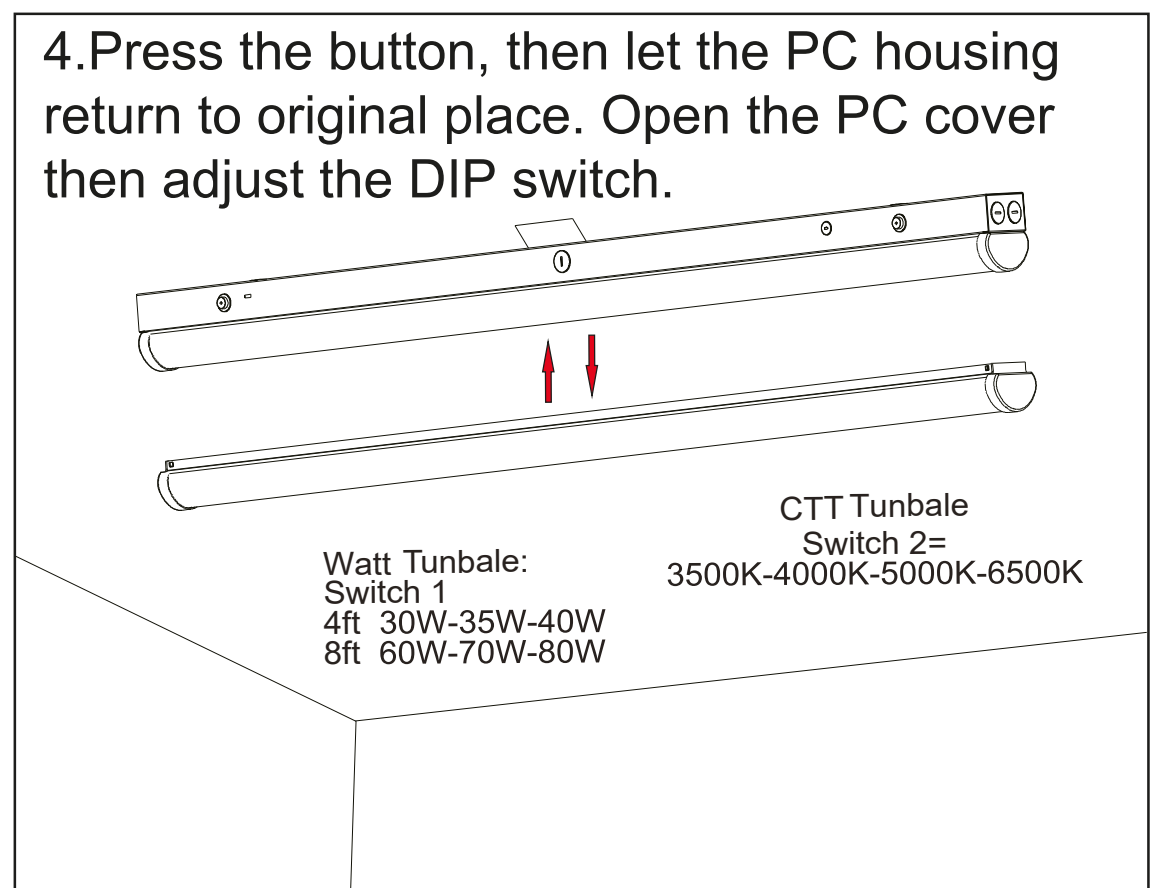
2. Press the button then open the PC housing.



3. Adjust the hole of bottom cover align at anchors, then fasten it by screw.



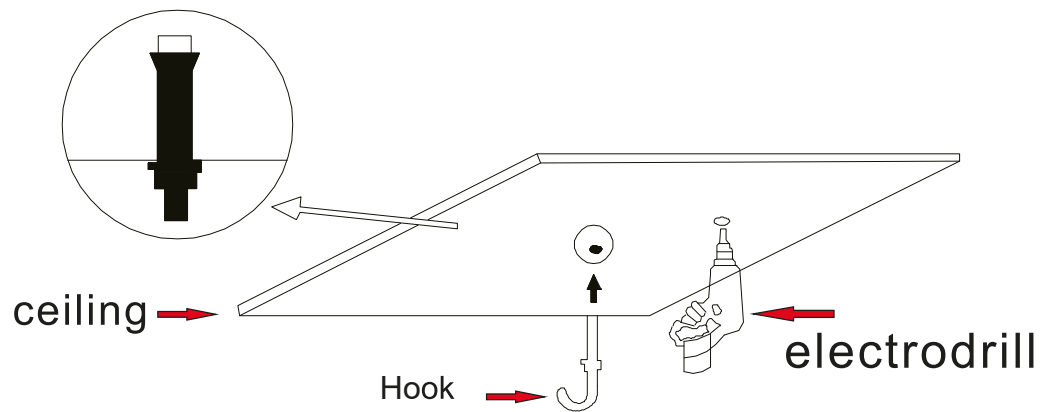
4. Press the button, then let the PC housing return to original place. Open the PC cover then adjust the DIP switch.



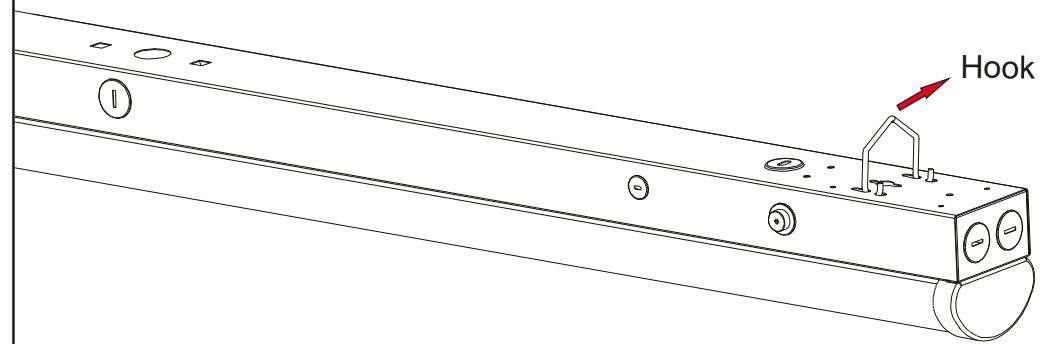
# Installation

## Suspension installation

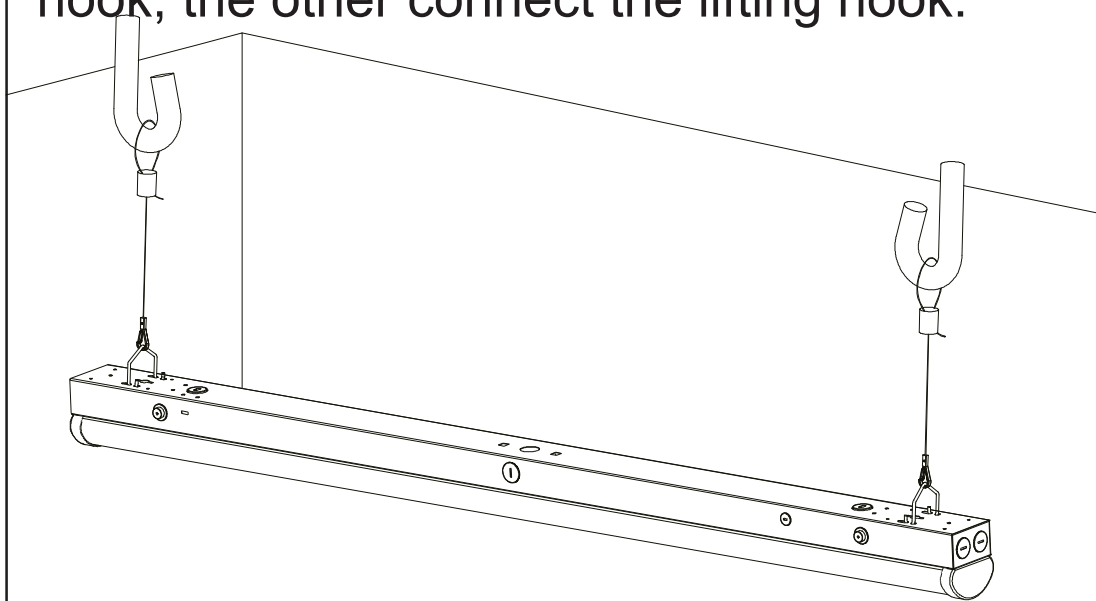
1. Drill two holes in the ceiling with electrodrill, put the hook into the hole.



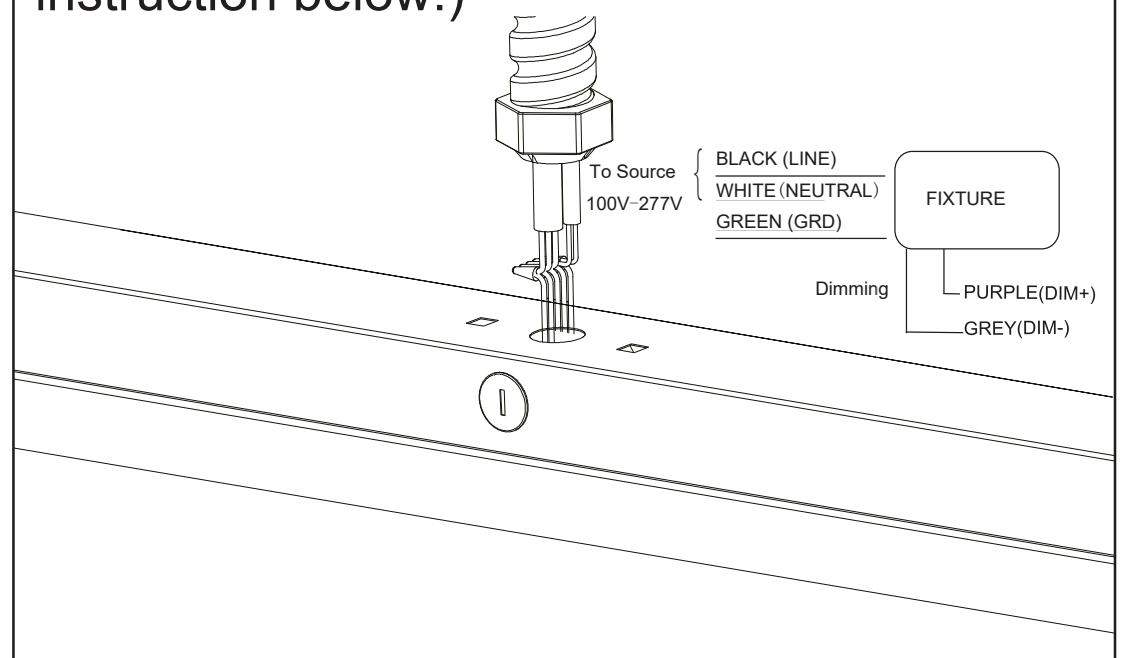
2. Put the hook into the holes as picture.



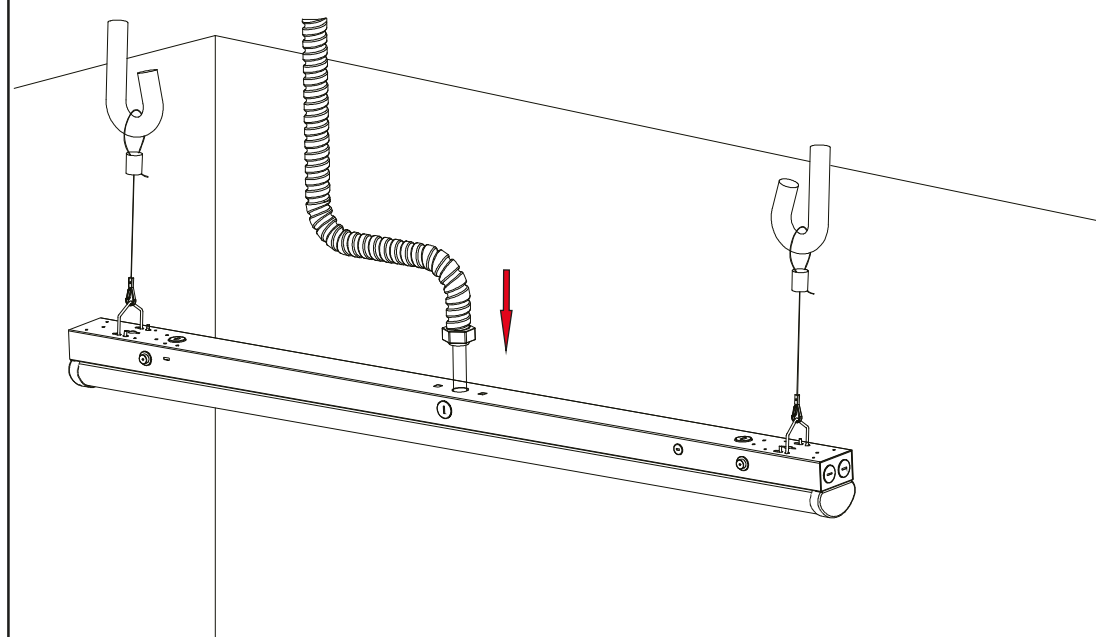
3. One side of safety rope to connect the hook, the other connect the lifting hook.



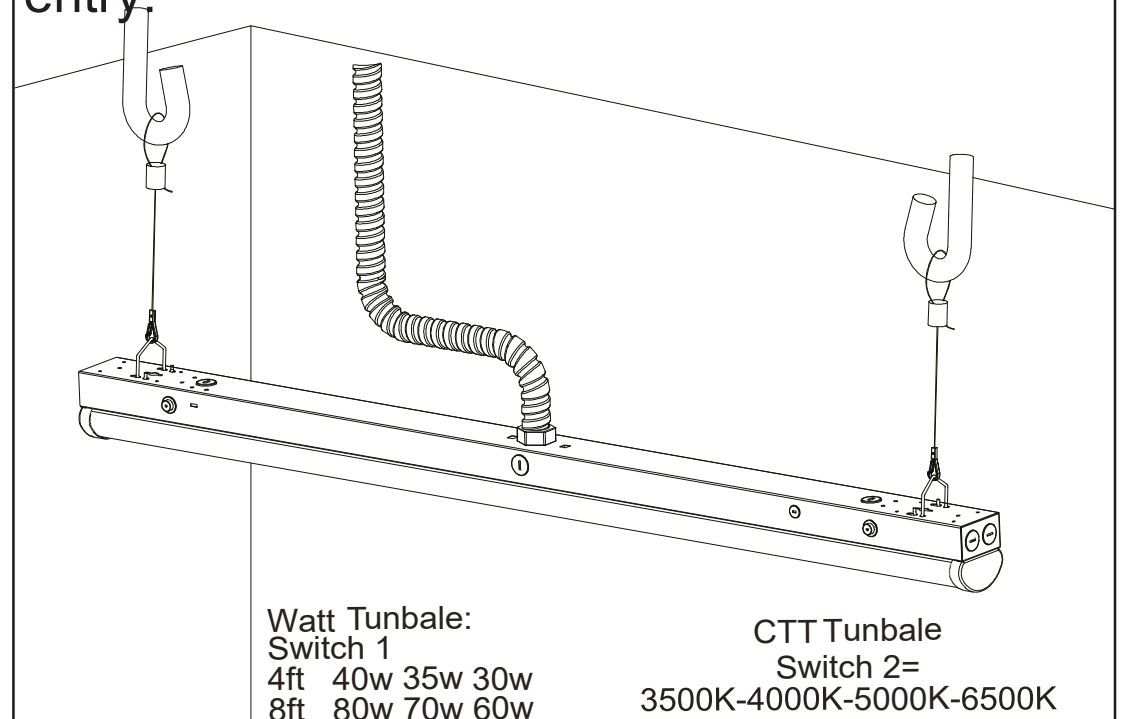
4. Turn off power, and make wiring connections with terminalcap.(see wiring instruction below.)



5. Insert the terminal block and wires into the strip.



6. Insert the wire terminal joint to the wire entry.



**The Installation must be carried out by a qualified electrician.**

# Installation

## Connection installation

1. Fix the connection bracket on the wall.

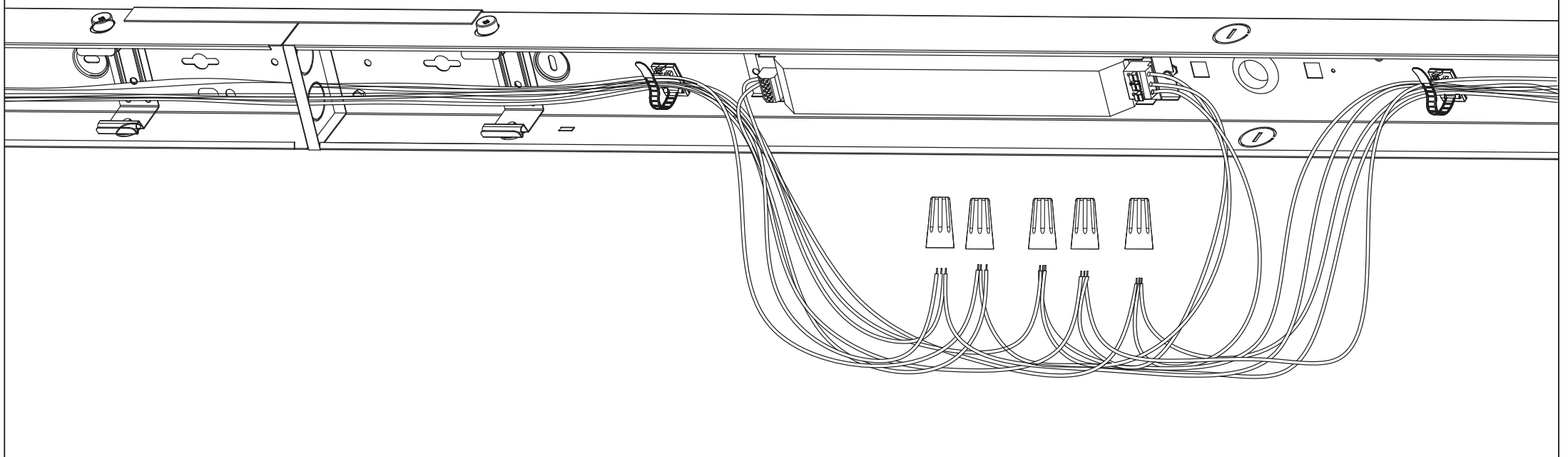
2. Insert the strip light into the connection bracket, then drill holes at a suitable position in the wall for installing the next strip light.

3. Fix the lamp body on the wall by screws, complete the installation; repeat the previous procedure to install the 3rd strip light, 4th strip light etc.

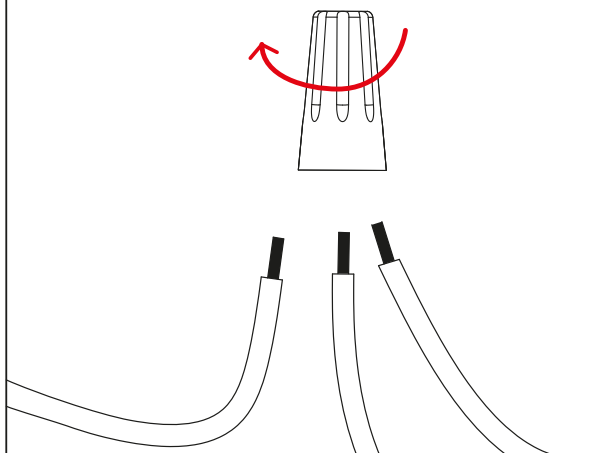
4. Wiring schematic as shown.

Black = AC Line (L)  
 White = AC Neutral (N)  
 Green = Ground (⊕)  
 Purple = DIM+  
 Gray = DIM-

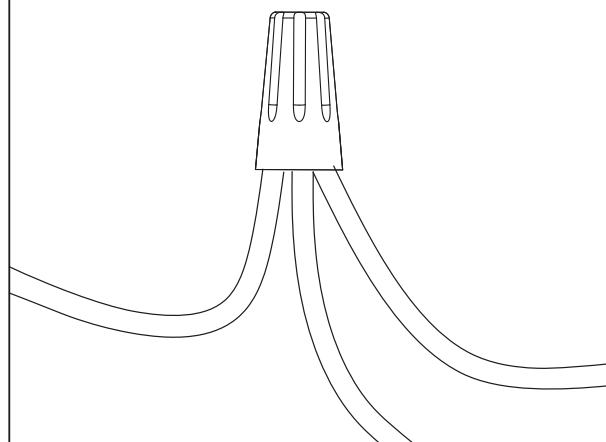
5. Pass wires through the knockout hole, fix the 3M glue.



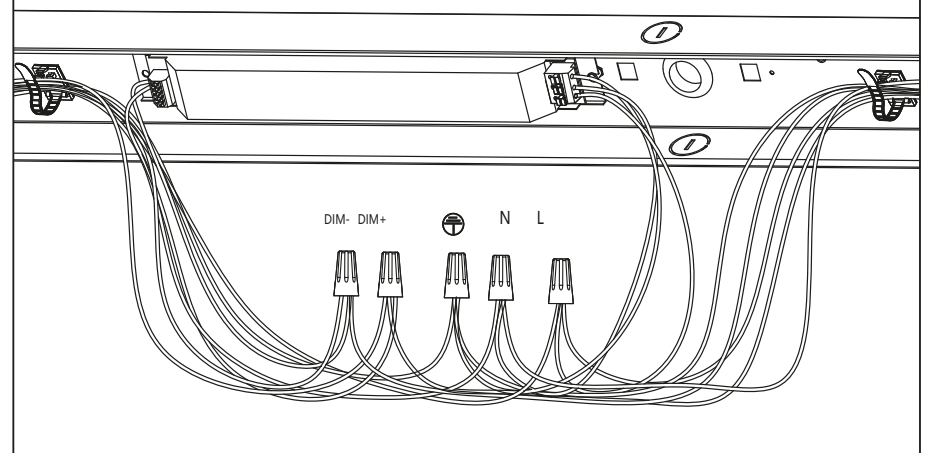
6. The same type of electronic wires are inserted into the same quick connector and combined into a parallel circuit.



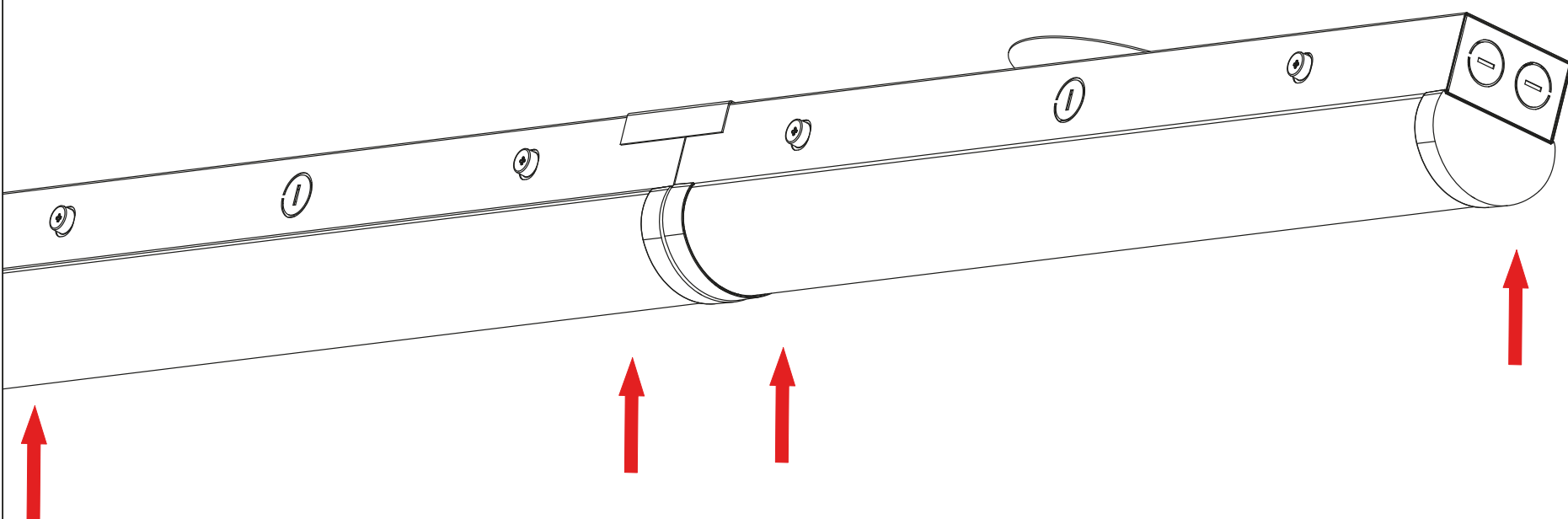
7. Tighten the wires in the quick connector, as the photo shows below.



8. As shown in the figure, it is the diagram of wiring completion.



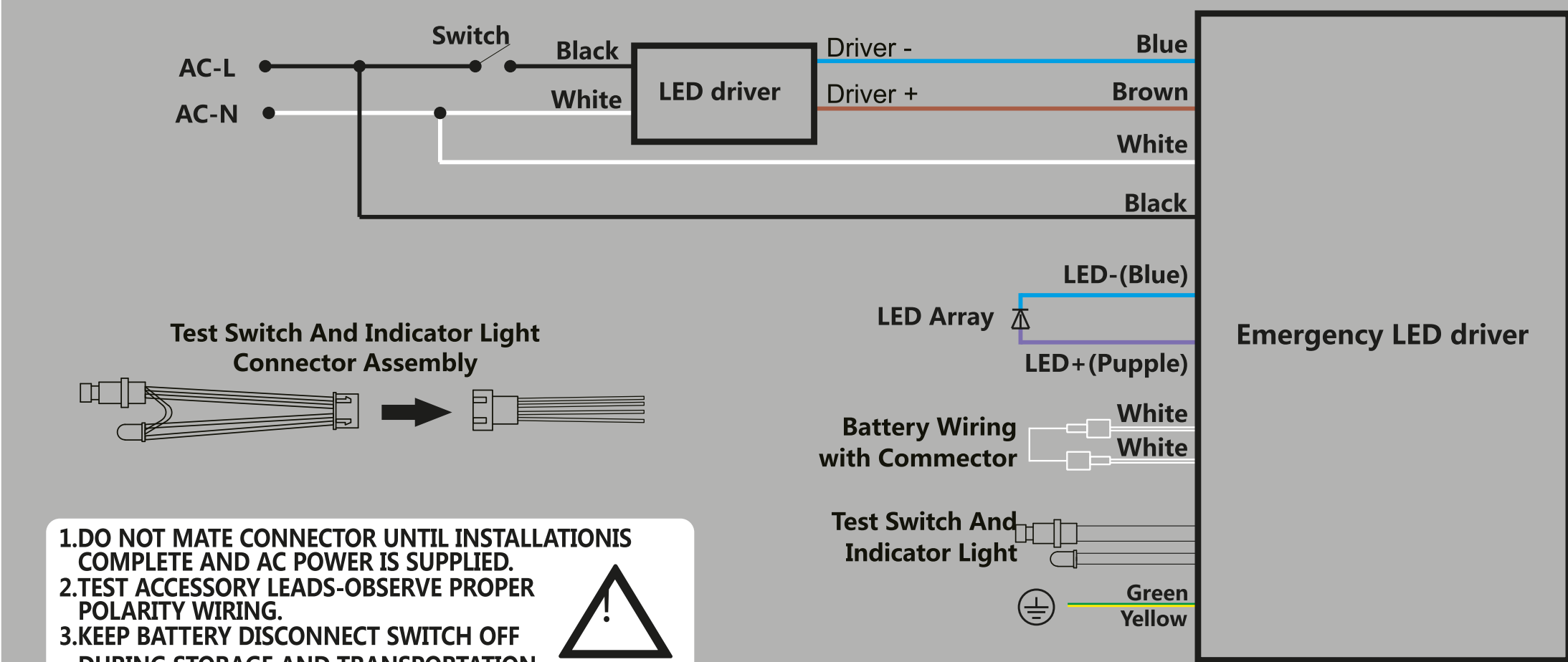
9. After finished wire connecting and install back the housing. Light up.





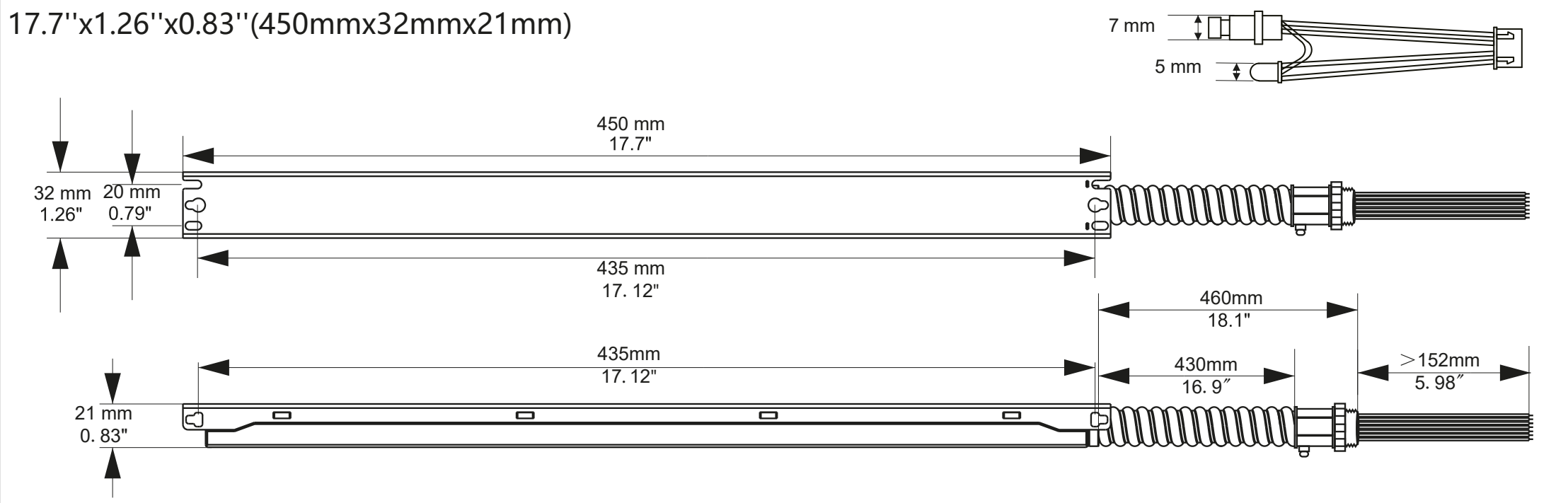
# Emergency LED Driver

## Wiring Diagram



## Dimensions

17.7"x1.26"x0.83"(450mmx32mmx21mm)



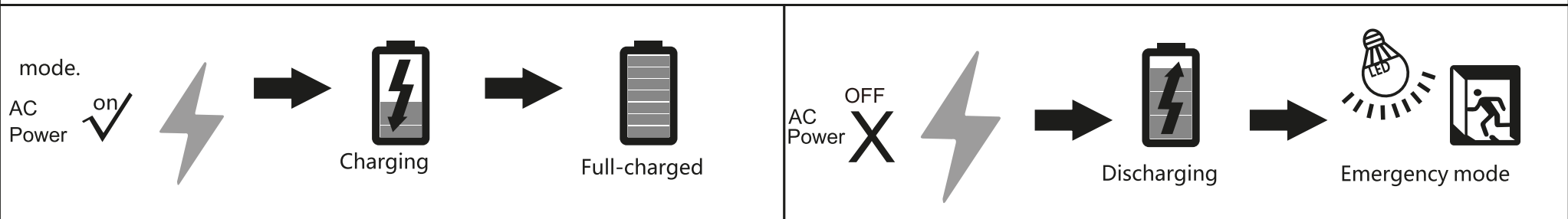
## Operation

### AC Operation:

AC power is present, The LED load from the LED driver is normal power supply, AC LED driver output current can not exceed 150W or 4A, the emergency driver is charging in a standby mode. The green LED light flashes indicates that it is charging. The green LED light on indicates that it is full charged. After the AC power supply working 48h, The emergency LED drive will automatically from AC power working switch into emergency working mode for 30S every month and then automatically backs to the working mode of the AC power supply, the AC power supply works per year for automatically from the AC power mode backs to the working emergency mode Until the emergency discharge is completed.

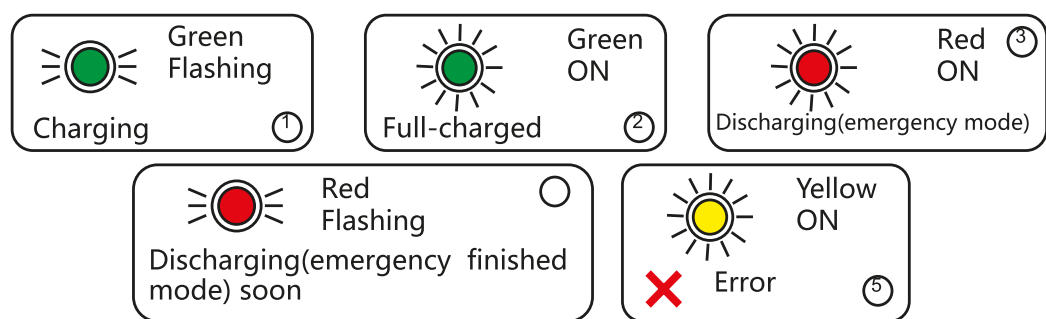
### Emergency operation:

When the AC power goes out, The emergency driver detects the AC power outage and automatically switch to the emergency.



## Indicator light introduction

- ① Green/flashing: Charging
- ② Green/on: Full-charged
- ③ Red/on: Discharging(emergency mode)
- ④ Red/flashing: Discharging(emergency mode) finished
- ⑤ Soon Yellow/on: Error



## Test switch

Press the test switch to confirm whether the emergency function is normal.



## IMPORTANT SAFEGUARDS

When using electrical equipment, basic safety precautions should always be followed including the following

**READ AND FOLLOW ALL SAFETY INSTRUCTIONS.**

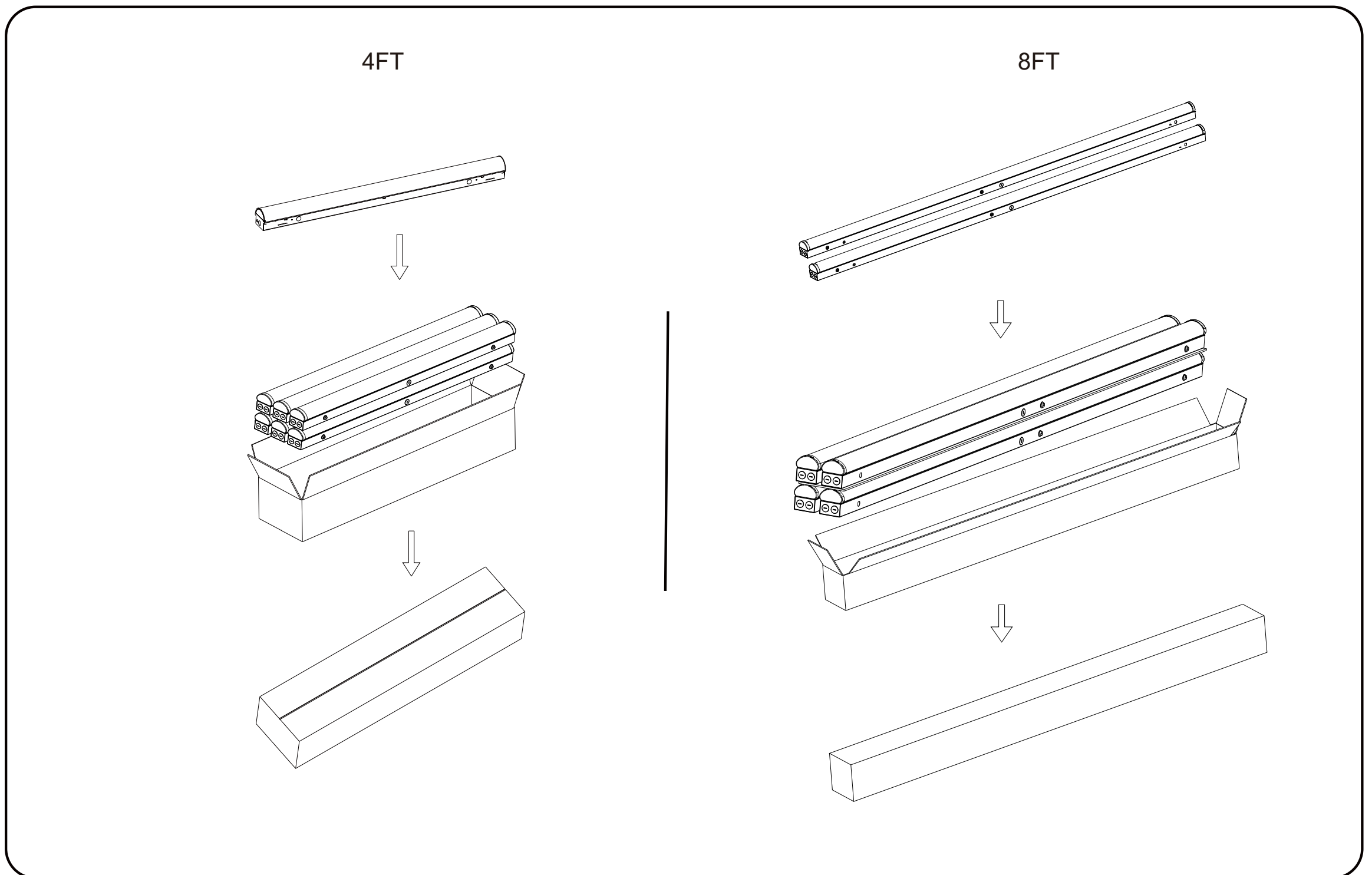
- Risk of fire or electric shock. Luminaire wiring and electrical parts may be damaged when drilling for installation of LED Emergency Backup. Check for enclosed wiring and components.
- Risk of fire or electric shock. This LED Emergency Backup installation requires knowledge of luminaire. electrical systems. If not qualified, do not attempt installation. Contact a qualified electrician.
- Before installing, make certain the AC power to the fixture is off.
- The electrical rating of this product is 100-347Vac. Installer must confirm that there is 100-347Vac to the fixture before installation.
- To prevent electrical shock only mate unit connector after installation is complete and before the AC power to the fixture is back on.
- This LED Emergency Backup unit requires an un-switched AC power source of 100-347Vac, 50/60Hz. The AC driver must be on the same branch circuit as the LED Emergency Backup unit.
- Do not let power supply cords touch hot surfaces.
- Do not mount near gas or electric heaters.
- Do not use outdoors
- Do not connect battery pack connector until all other wiring is complete and AC power is on.
- The emergency LED driver is for use with grounded, UL listed LED luminaires, shall be enclosed by the LED luminaire and bonded to the grounding of LED luminaire.
- Verify that all replacement lamp types marked on the installed luminaire are also identified as suitable for use with this emergency battery pack.
- The battery pack is fixed by the screw and the indicator lamp is attached to the shell of the luminaire by 3M tape
- Equipment should be mounted in locations and at heights where it is not be subjected to tampering by unauthorized personnel.
- The use of accessory equipment not recommended by the manufacturer and may cause an unsafe condition.
- Do not use this equipment for other than its intended use.
- Use with grounded, UL Listed, dry or damp location rated fixtures.



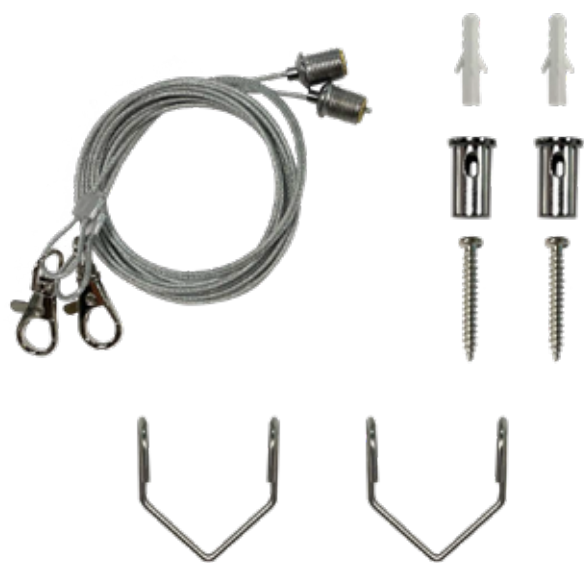
# Packing/Weight

Model	Outer Carton Size (LxWxH)	Qty/Carton (pcs)	Net weight (kg)(lbs)	Net weight (kg)(lbs)	20GP (QTY)	40HQ (QTY)
SP-S40W-4RCS35U	(1230*234*183mm) (48.42"*9.21"*7.2")	9PCS	1.8kg 3.96lbs	15.3kg 33.73 lbs	3600pcs	8496pcs
SP-S80W-8RCS35U	(2450*160*183mm) (96.46"*6.30"*7.20")	4PCS	3.7kg 8.2lbs	13.2kg 29.1lbs	1664pcs	3928pcs

# Packing

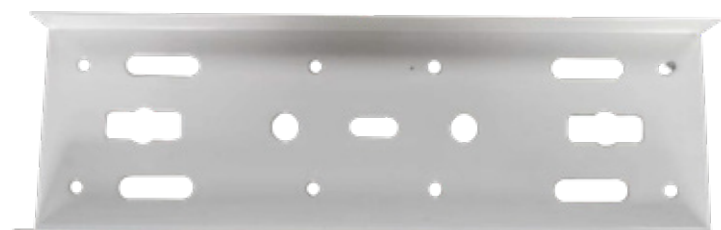


# Optional Accessories



## Installation Ropes

Size: 5FT  
2PCS/SET



## Connector



## Emergency Backup Battery

Power: 8W  
90minutes emergency time

# Application



## Note

- 1.The installation and maintenance must be completed by electricians or professionals.
- 2.Please cut off the power before installation and maintenance.
- 3.The fixture is not allowed to be covered by thermally insulating material.
4. Please keep away from the corrosive substance,and keep the fixture dry and clean.
5. Working temperature:-4°F~104°F, storage temperature:-22°F~140°F.

**ILUMIA<sup>TM</sup>**

**Company Name: 4 Winds International LLC**

**Email: [info@ilumialed.com](mailto:info@ilumialed.com)**

**Tel: 346 6315821 / 346 6315824**

**Web: [www.ilumialed.com](http://www.ilumialed.com)**

**Address: 600 Fallbrook Drive Houston, TX 77038**